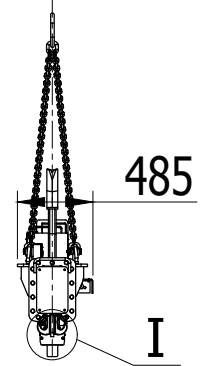
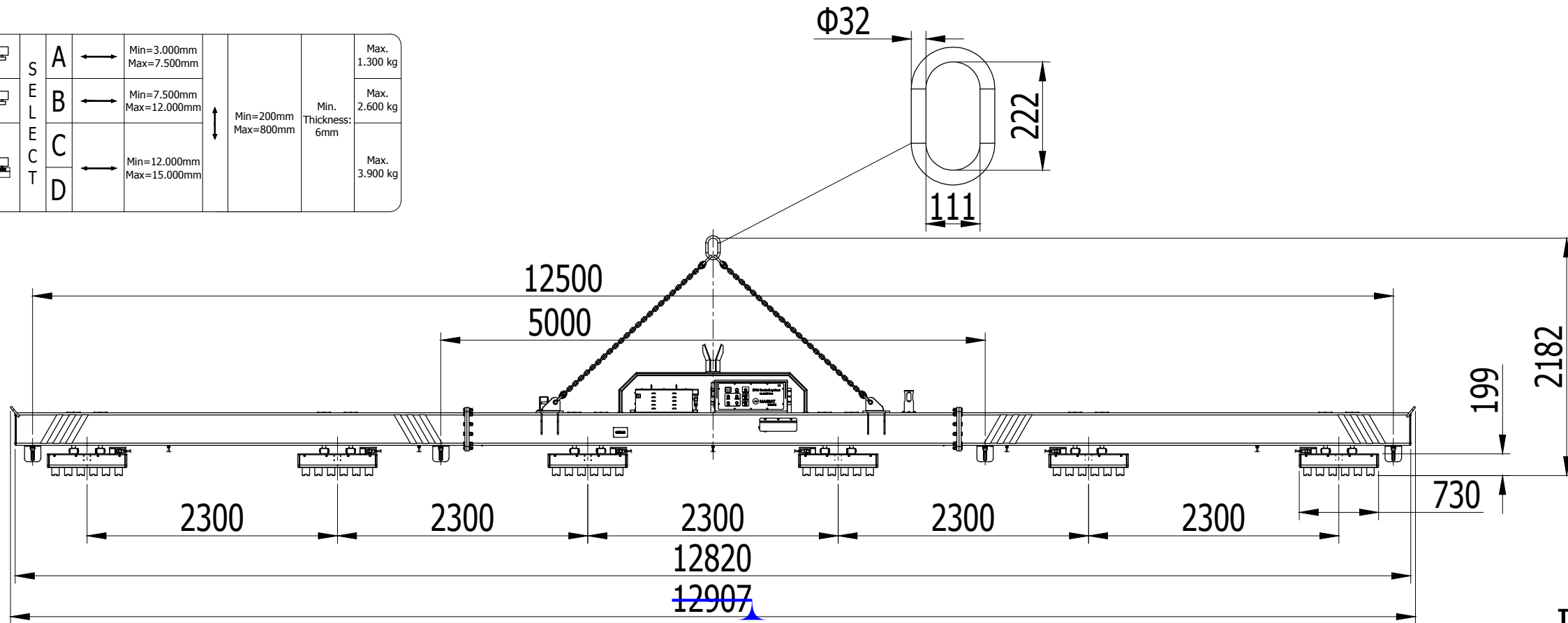
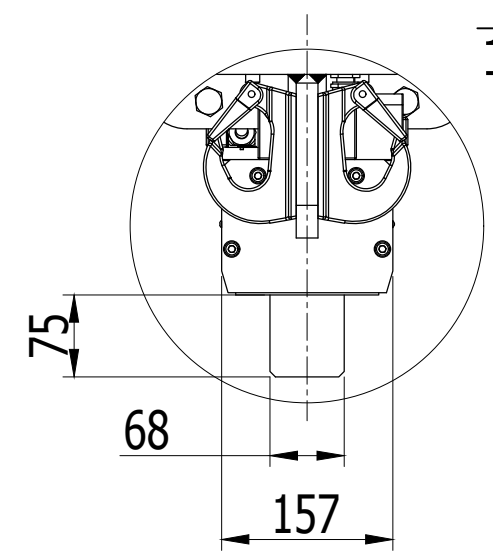
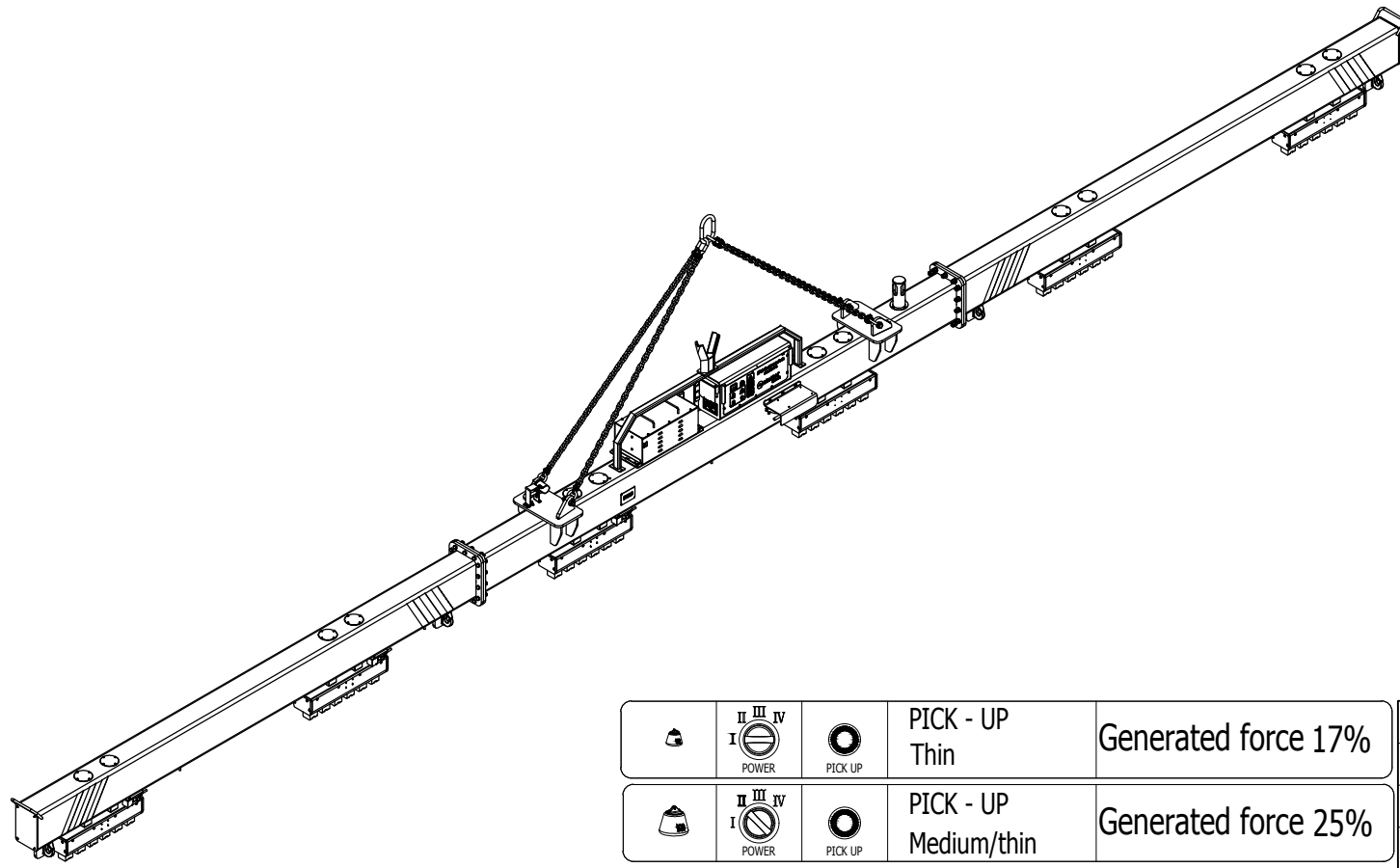


SELECT	A	←	Min=3.000mm Max=7.500mm	Min=200mm Max=800mm	Min. Thickness: 6mm	Max. 1.300 kg
	B	←	Min=7.500mm Max=12.000mm			Max. 2.600 kg
	C	←	Min=12.000mm Max=15.000mm			Max. 3.900 kg
	D	←				



I
1 : 10



Indicative Weight: 1831 kg

Indicative drawing. We reserve the right to modify the design at any time

			PICK - UP Thin	Generated force 17%
			PICK - UP Medium/thin	Generated force 25%
			PICK - UP Medium	Generated force 35%
			PICK - UP Thick	Generated force 55%
			FULL - MAG Always	Generated force 100%

Index	Date	Modification	Name

HVR MAG®

MAGBAT
EUROPE

Date: 02/07/2020
Drawing: QI
Checked: BIN
Scale: 1:70
Unit:mm

HBEPs-18-039
EPM beam for lifting of steel plate

HFA20169.00
Indicative drawing