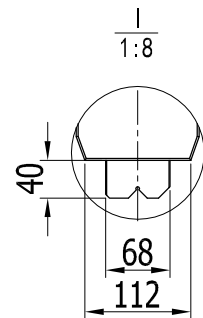
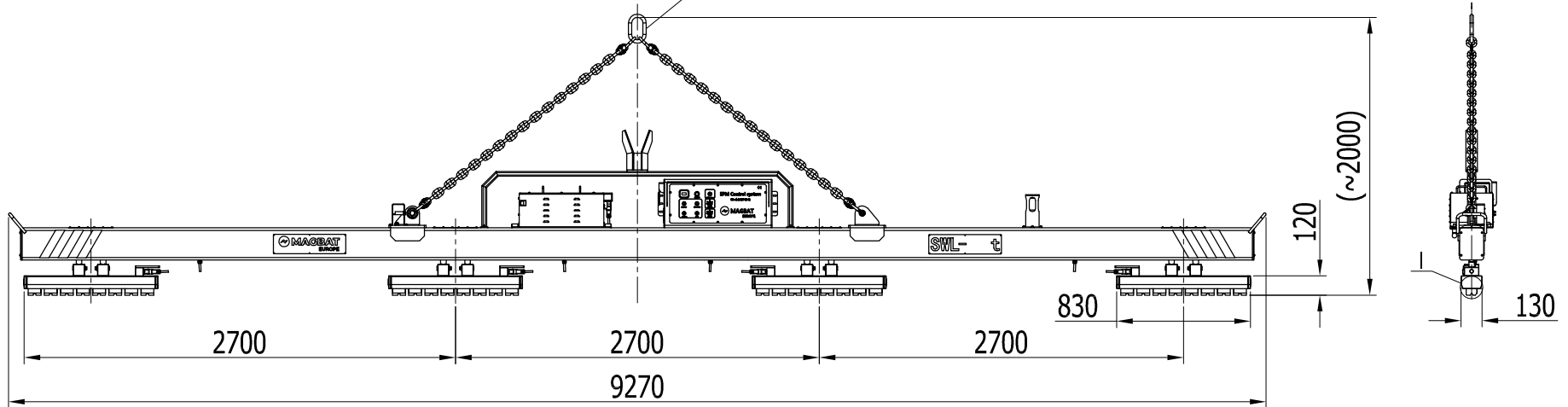
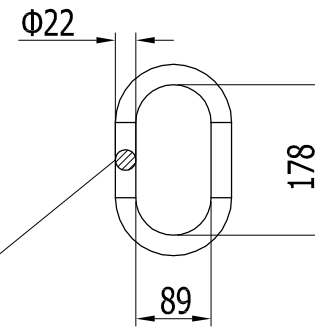


SELECT	A	Min=3.600mm Max=9.000mm	HEA-HEB-IPE-IPN-UPN-profiles Min=80mm Max=400mm	Max. 1.300 kg
	B			
SELECT	C	Min=9.000mm Max=15.000mm	L profiles Min=30x 30x7mm Max=200x 200x20mm	Max. 2.600 kg
	D			



Indicative Weight: 1.400 kg

Indicative drawing. We reserve the right to modify the design at any time

Index	Date	Modification	Name

HVR MAG®

MAGBAT
EUROPE

HBEP5-15-026
EPM beam for lifting of profiles

Date: 22/05/2021	Scale
Drawing: QI	1:40
Checked: BIN	Unit:mm
HFA21312.00 Indicative drawing	

Load Specifications	Load Specifications
L profiles	HEA-HEB-IPE-IPN-UPN-profiles
Min. 30x30x7 mm - Length 6.000 mm	Width: 80-400 mm
Max. 200x200x20 mm - Length 12.000 mm	Length: 1.000 -15.000 mm
Max. Weight: 754 kg	Max. Weight: 1.875 kg