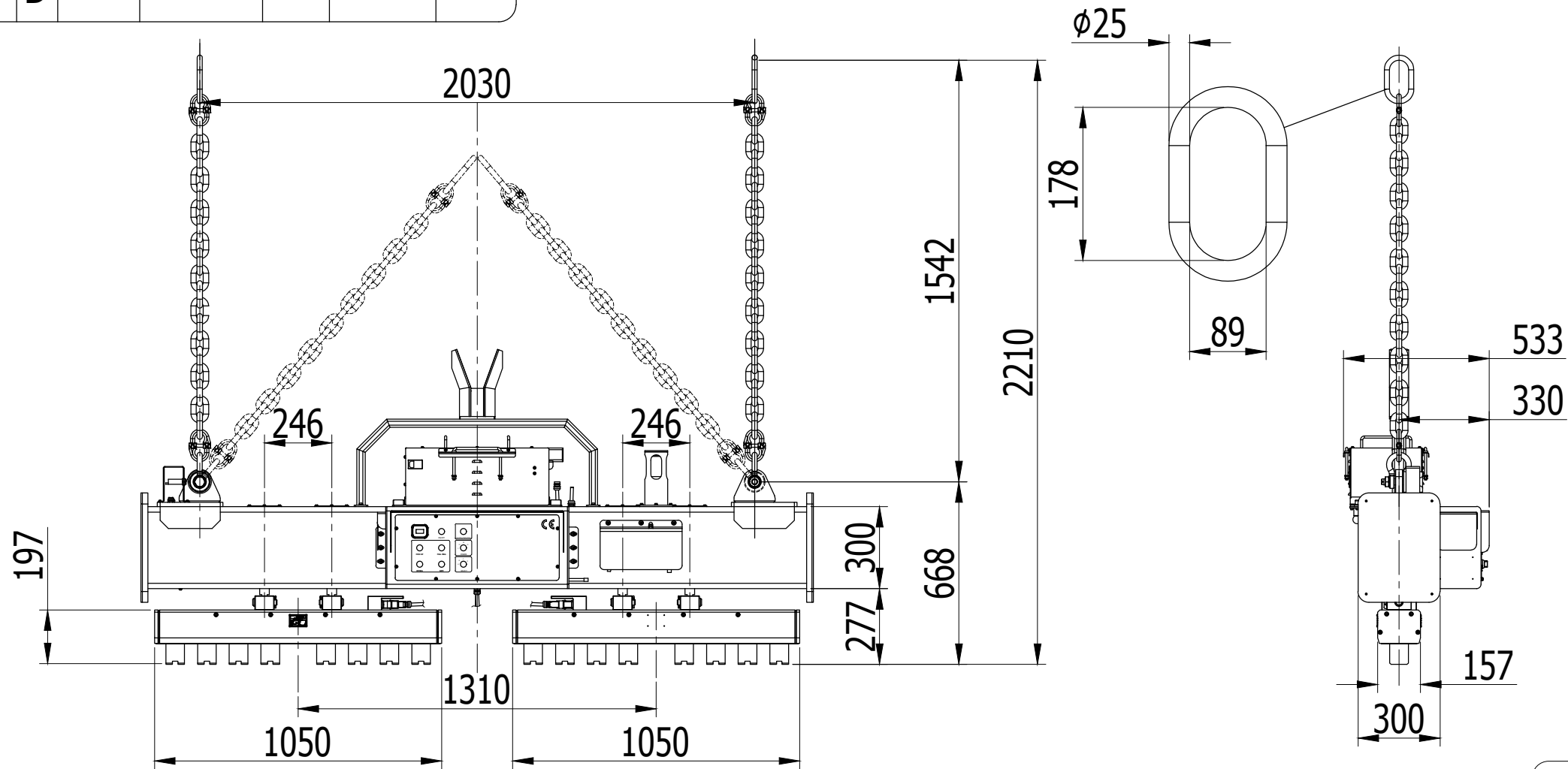


	S E L E C T	A	 Min=1.050mm Max=2.360mm	 & Min=80mm Max=600mm	Max. 850 kg
		C	 Min=2.360mm Max=10.000mm		Max. 1.700 kg



Indicative Weight: 720 kg

Indicative drawing. We reserve the right to modify the design at any time

	 POWER	 PICK UP	PICK - UP Thin	Generated force 17%
	 POWER	 PICK UP	PICK - UP Medium/thin	Generated force 25%
	 POWER	 PICK UP	PICK - UP Medium	Generated force 35%
	 POWER	 PICK UP	PICK - UP Thick	Generated force 55%
	 FULL MAG	 FULL MAG	FULL - MAG Always	Generated force 100%

Index	Date	Modification	Name

HVR MAG®

Date: 02/07/2020 Scale: 1:30
 Drawing: Q1 Unit:mm
 Checked: BIN

MAGBAT
EUROPE

HBEPS-10-017/S
EPM beam for lifting of profiles

HFA20167.00
Indicative drawing