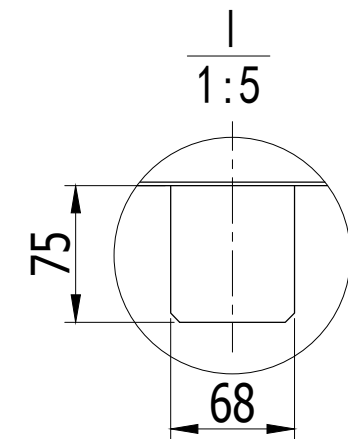
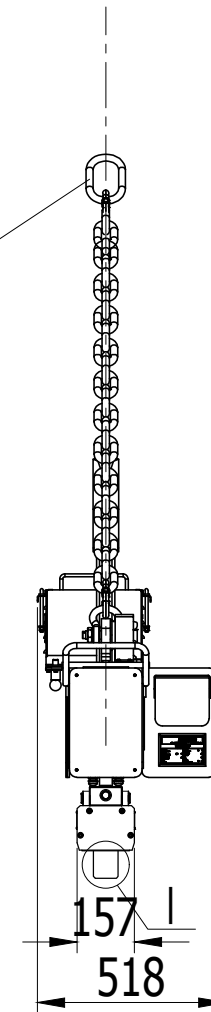
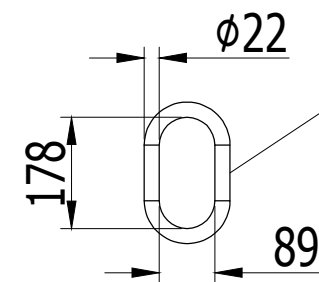
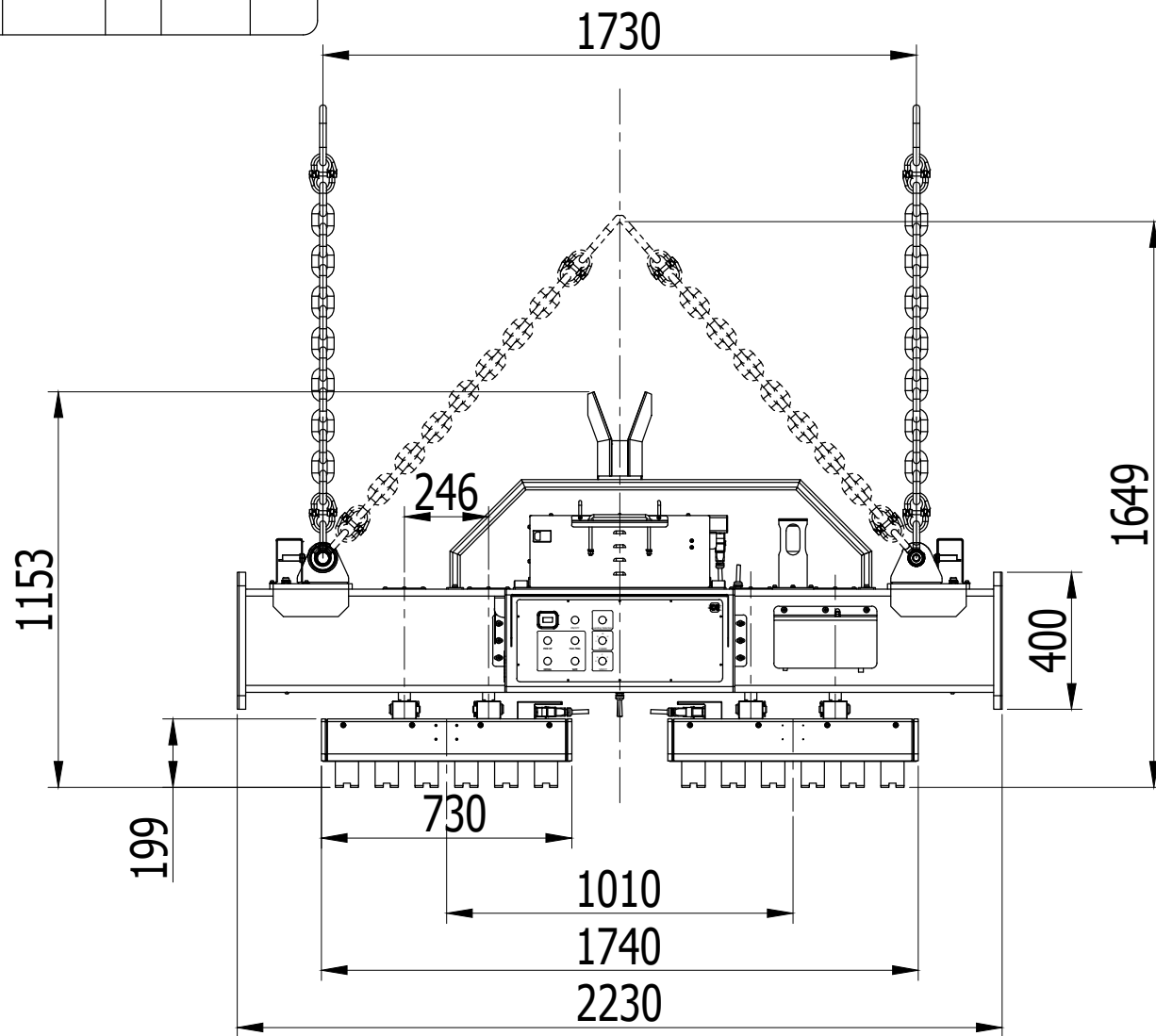
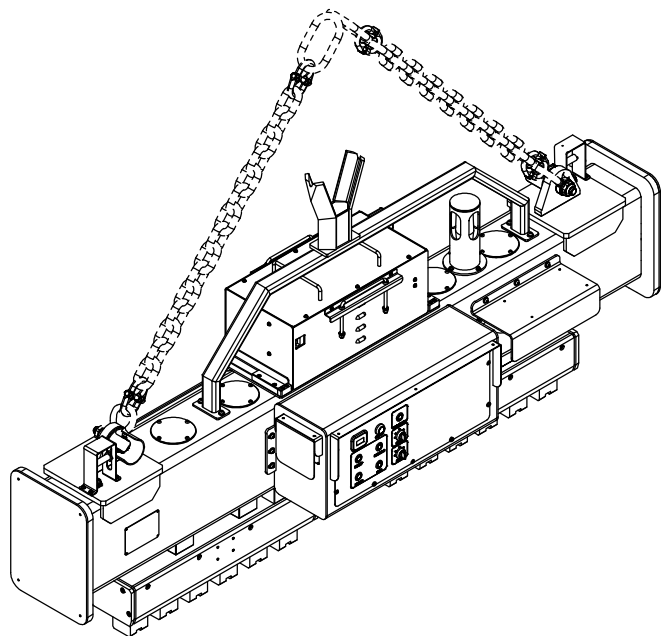


SELECT	A	←→	Min=730mm Max=1.740mm	I & H	Min=80mm Max=600mm	Max. 650 kg
	D	←→	Min=1.740mm Max=6.000mm			Max. 1.300 kg



Indicative Weight: 595 kg

Indicative drawing. We reserve the right to modify the design at any time



			PICK - UP Thin	Generated force 17%
			PICK - UP Medium/thin	Generated force 25%
			PICK - UP Medium	Generated force 35%
			PICK - UP Thick	Generated force 55%
			FULL - MAG Always	Generated force 100%

Index	Date	Modification	Name

HVR MAG®

MAGBAT
EUROPE

Date: 02/07/2020
Drawing: QI
Checked: BIN
Scale: 1:30
Unit:mm

HBEP5-06-013
EPM beam for lifting of steel plate

HFA20166.00
Indicative drawing