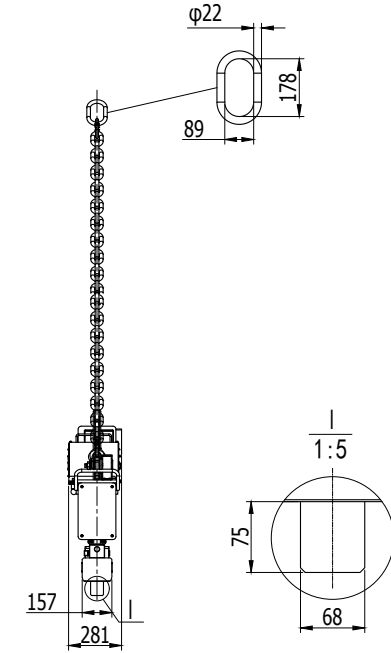
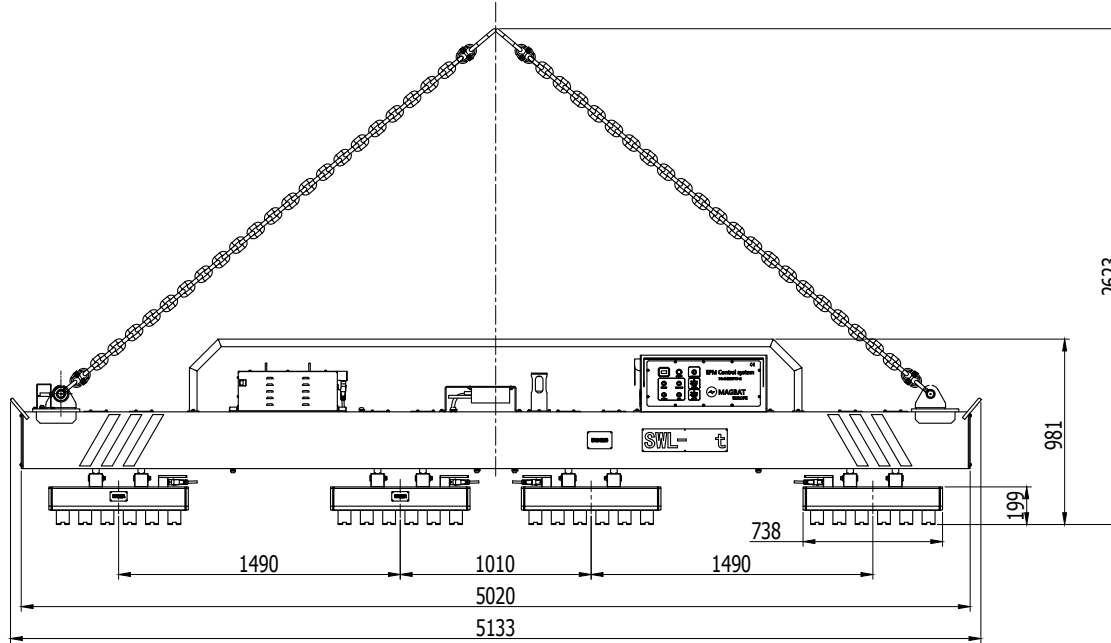


SELECT	A	↔	Min=1.500mm Max=5.000mm	I & H	Min=80mm Max=600mm	Max. 1.300 kg
	B					
	C	↔	Min=5.000mm Max=12.000mm			Max. 2.600 kg
	D					



Indicative Weight: 1.100 kg

Indicative drawing. We reserve the right to modify the design at any time

			PICK - UP Thin	Generated force 17%
			PICK - UP Medium/thin	Generated force 25%
			PICK - UP Medium	Generated force 35%
			PICK - UP Thick	Generated force 55%
			FULL - MAG Always	Generated force 100%

Index	Date	Modification	Name
			Date: 01/04/2022 Drawing: QI Checked: BIN
HBEPS-12-026 EPM beam for lifting of profiles			Scale: 1:40 Unit:mm HFA20168-A.00 Indicative drawing