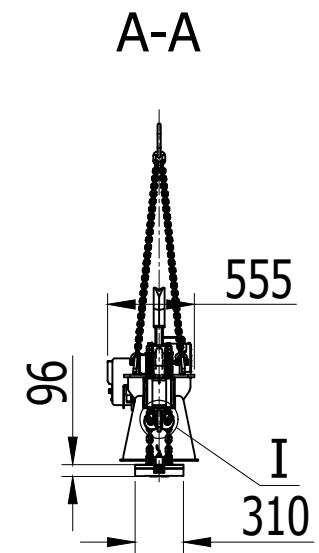
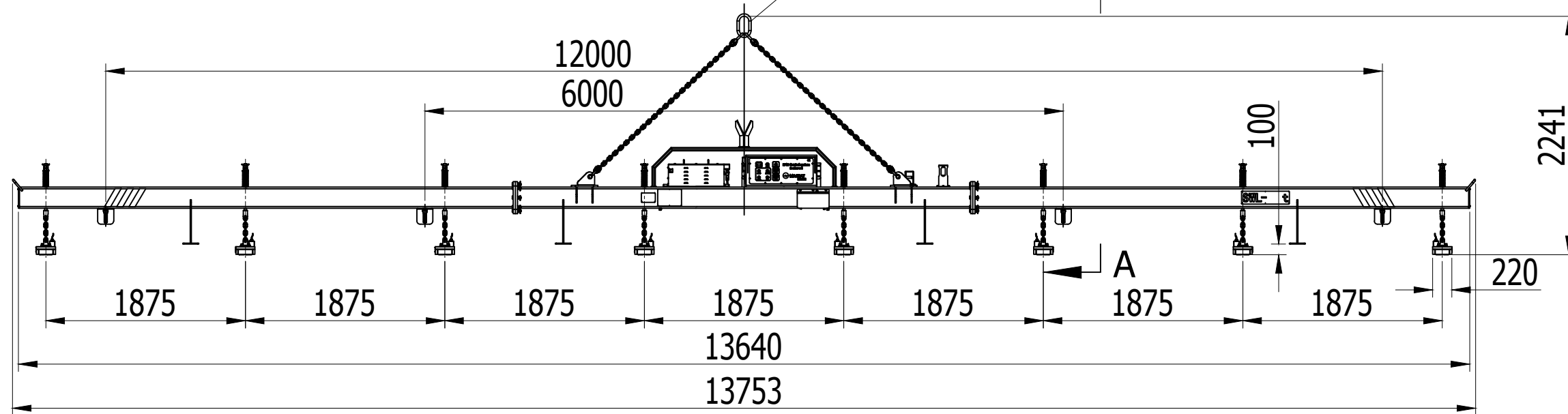
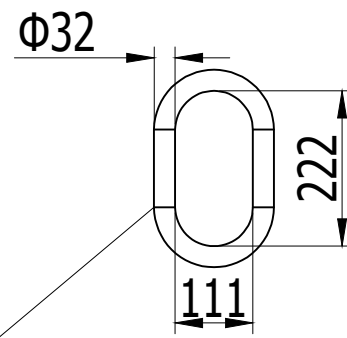
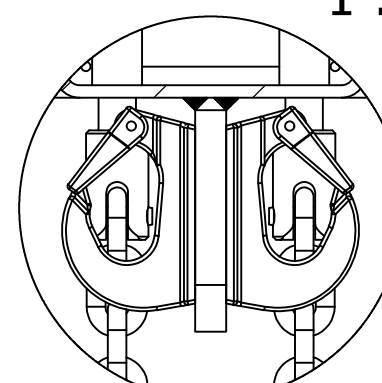


SELECT	A	Min=2.100mm Max=6.000mm	Min=310mm Max=800mm	Min. Thickness: 5mm	Max. 650 kg
	B	Min=6.000mm Max=9.600mm			Max. 1.300 kg
	C	Min=9.600mm Max=13.500mm			Max. 1.950 kg
	D	Min=13.500mm Max=15.000mm			Max. 2.500 kg

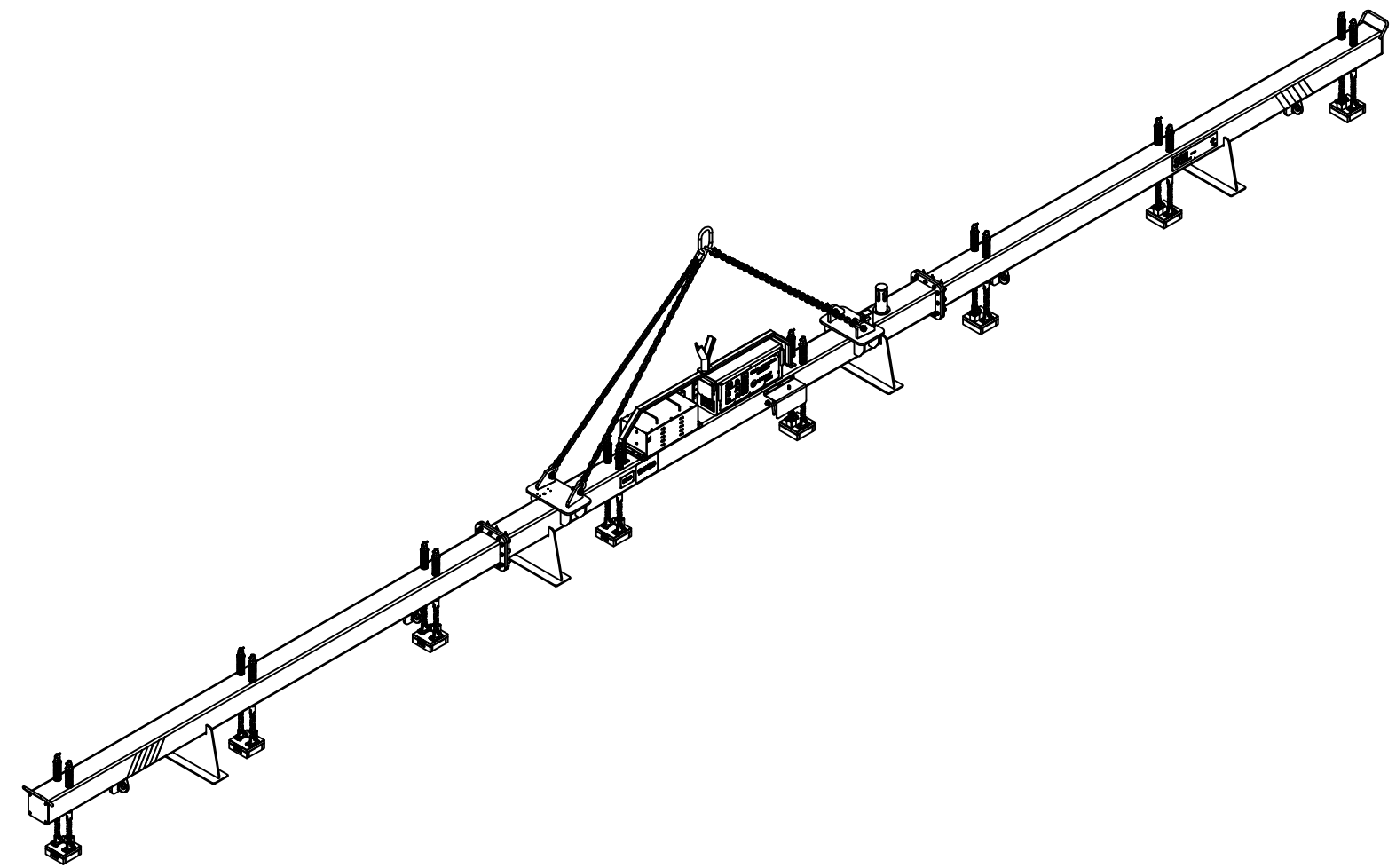


I
1 : 7



Indicative Weight: 1.400 kg

Indicative drawing. We reserve the right to modify the design at any time



Index	Date	Modification	Name

HVR MAG®

Date: 04/07/2020 Scale: 1:70
 Drawing: QI
 Checked: BIN Unit:mm

MAGBAT
EUROPE

HBEP-15-025
EPM beam for lifting of steel plate

HFA20150.00
Indicative drawing