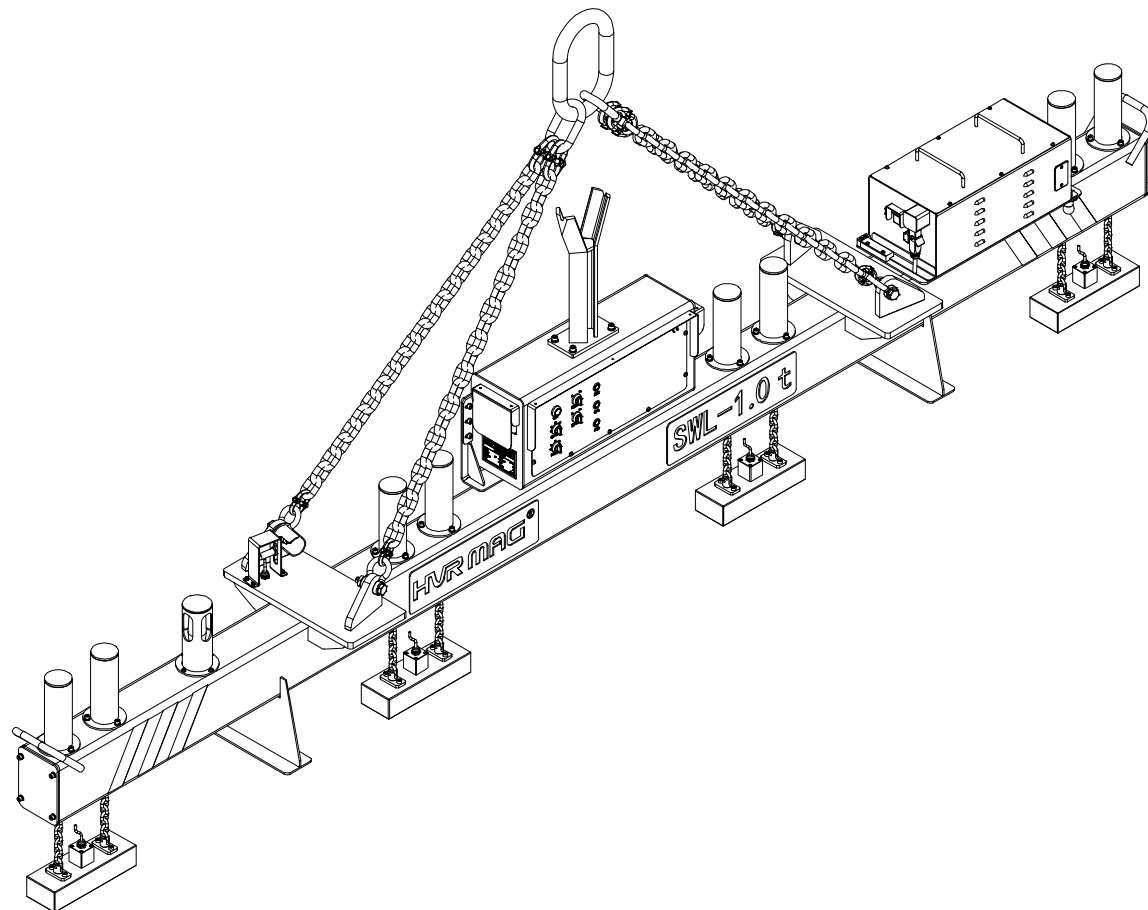
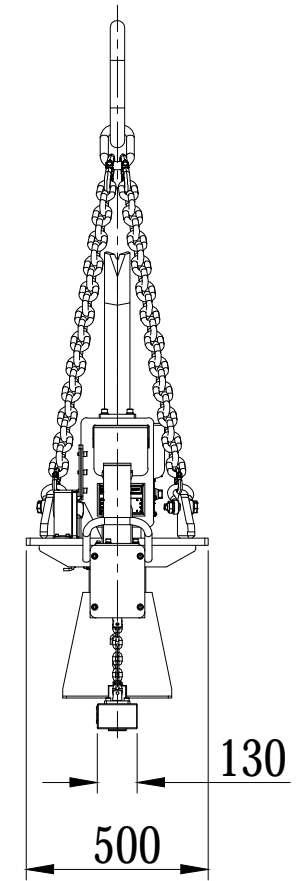
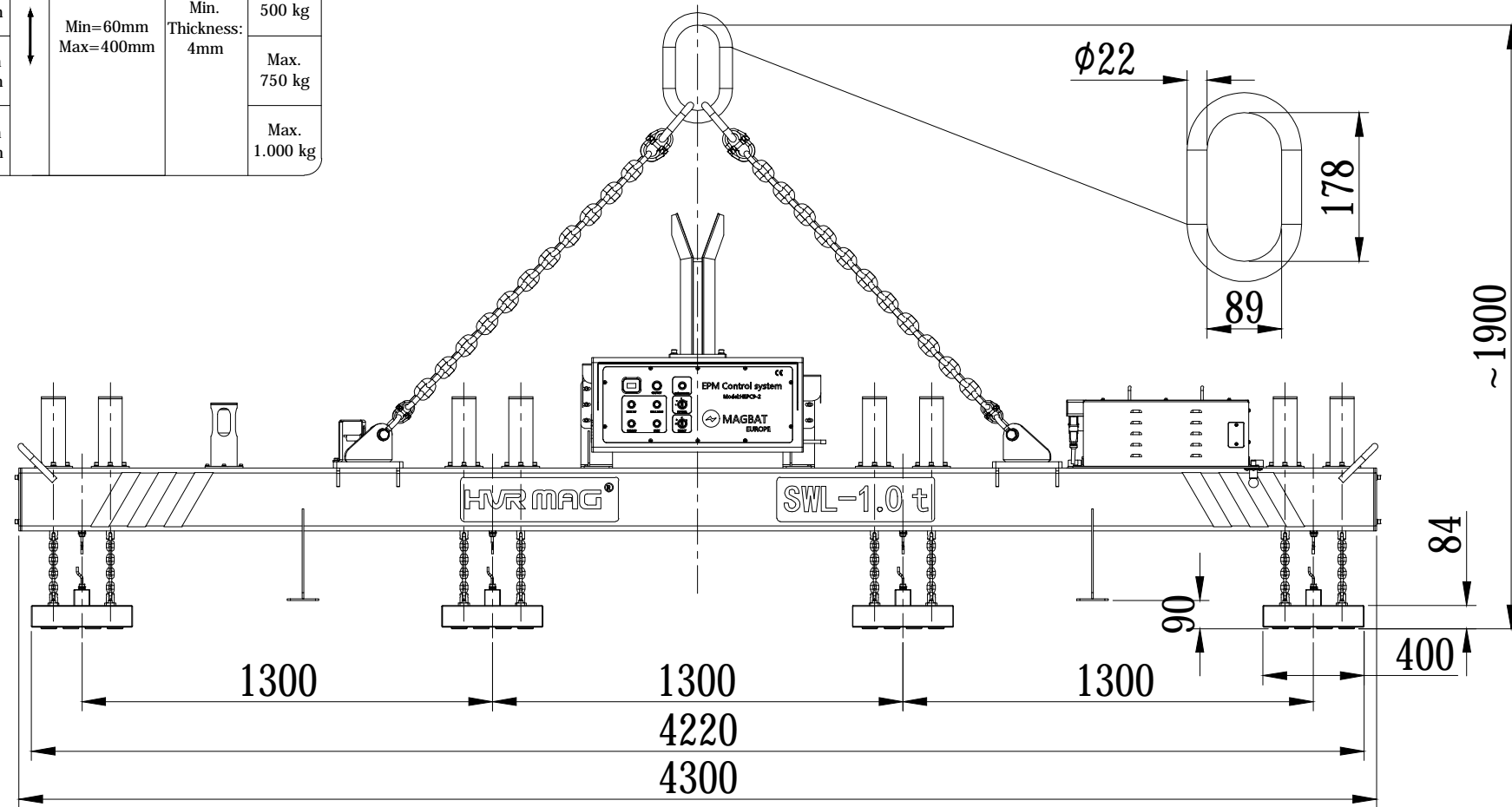


S E L E C T	A	←→	Min=400mm Max=1.500mm	Min=60mm Max=400mm	Min. Thickness: 4mm	Max. 250 kg
	B	←→	Min=1.500mm Max=3.000mm			Max. 500 kg
	C	←→	Min=3.000mm Max=4.000mm			Max. 750 kg
	D	←→	Min=4.000mm Max=6.000mm			Max. 1.000 kg



Indicative Weight: 950 kg

Indicative drawing. We reserve the right to modify the design at any time

Index	Date	Modification	Name
			HVR MAG®
			Date: 04/07/2020
			Scale: 1:30
HBEPP-06-010 EPM beam for lifting of steel plate			Checked: BIN
			Unit: mm
			HFA20317.00 Indicative drawing