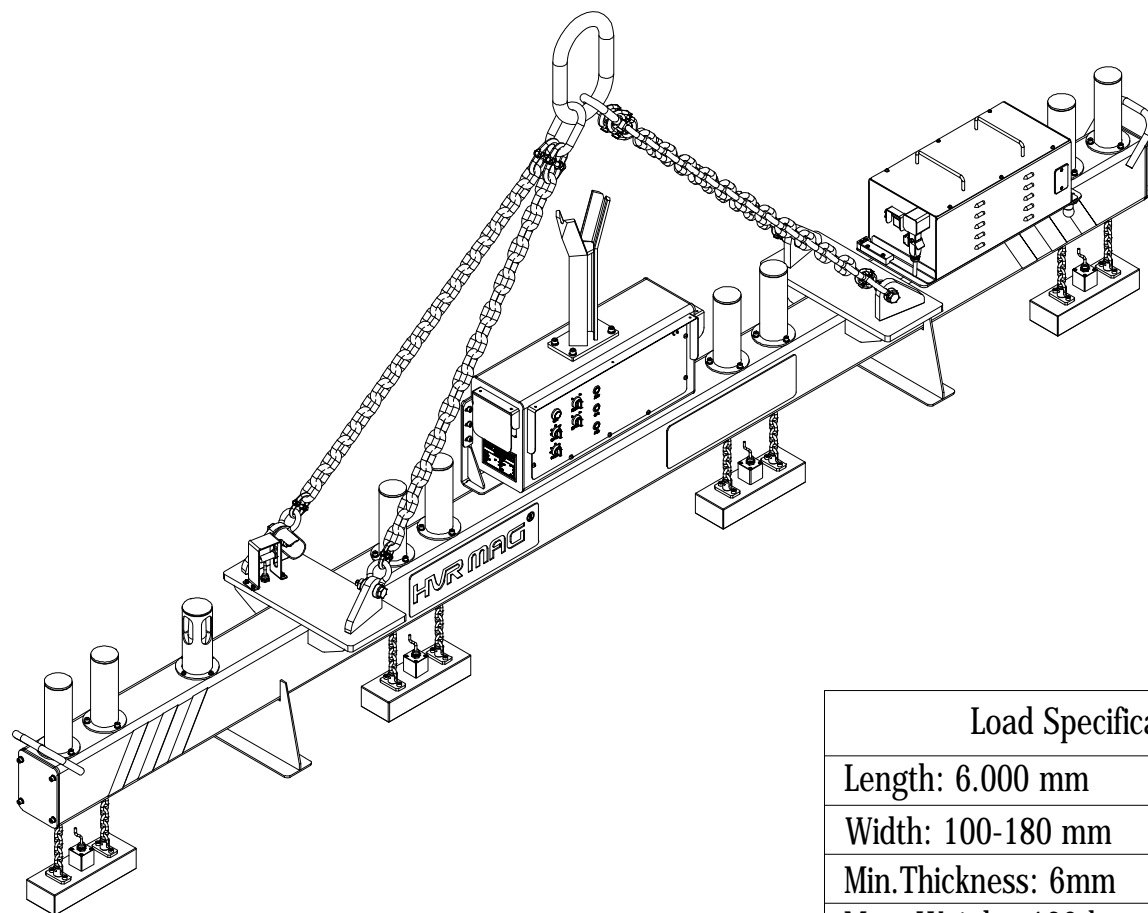
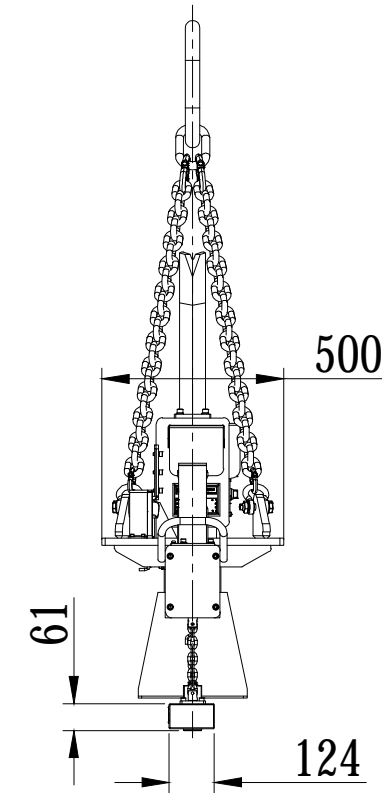
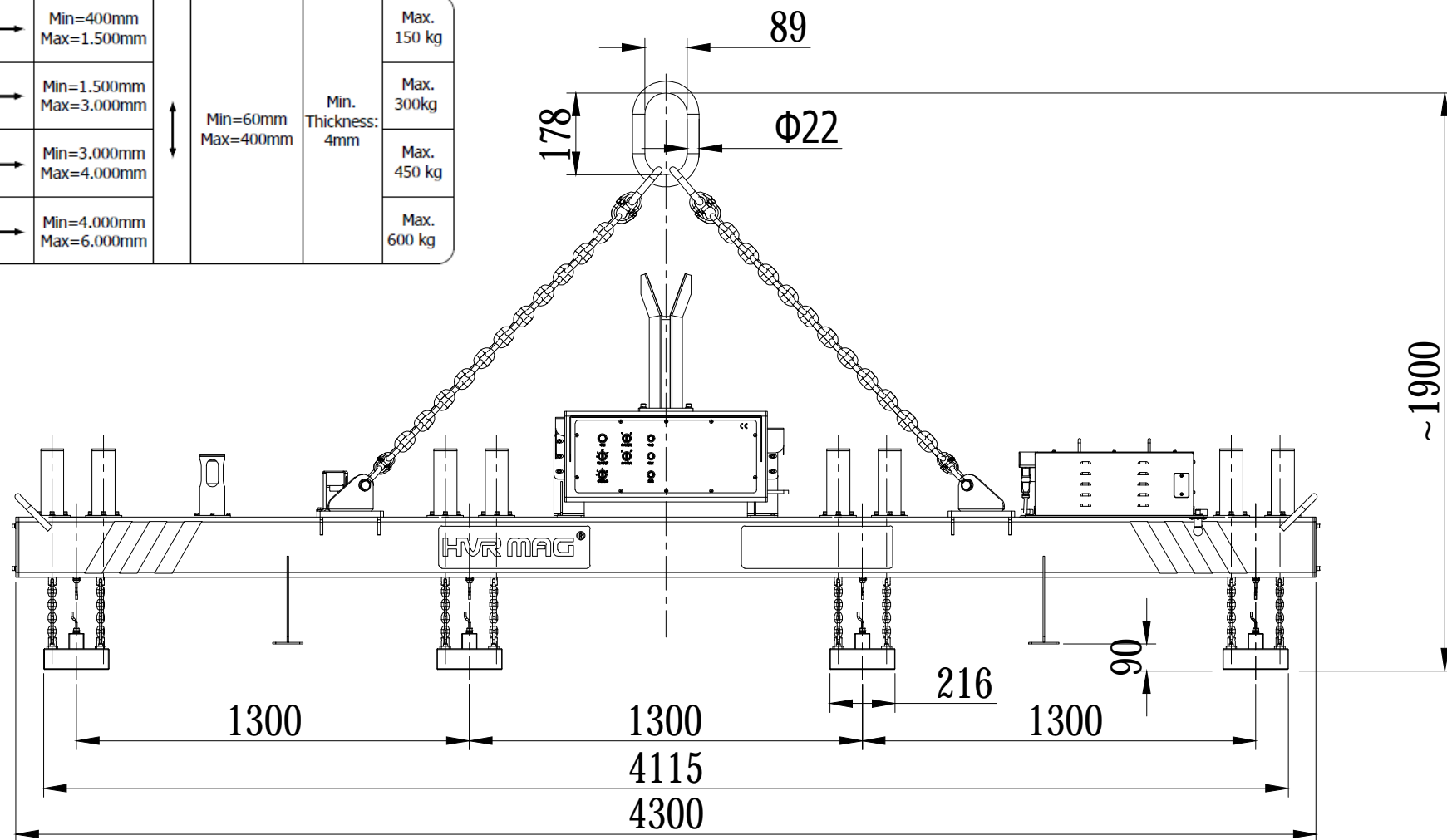


SELECT	A	↔	Min=400mm Max=1.500mm	Min=60mm Max=400mm	Min. Thickness: 4mm	Max. 150 kg
	B	↔	Min=1.500mm Max=3.000mm			Max. 300kg
	C	↔	Min=3.000mm Max=4.000mm			Max. 450 kg
	D	↔	Min=4.000mm Max=6.000mm			Max. 600 kg



Indicative Weight: 435 kg

Indicative drawing. We reserve the right to modify the design at any time

Load Specifications	
Length:	6.000 mm
Width:	100-180 mm
Min. Thickness:	6mm
Max. Weight:	130 kg

Index	Date	Modification	Name

HVR MAG®

Date: 18/09/2020 Scale: 1:30
 Drawing: QI Unit: mm
 Checked: BIN

MAGBAT
EUROPE

HBEPP-06-006
EPM beam for lifting of steel plate

HFA20488.00
Indicative drawing