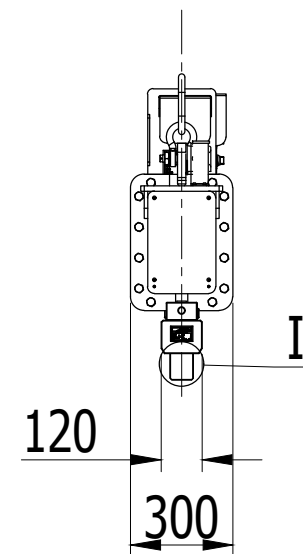
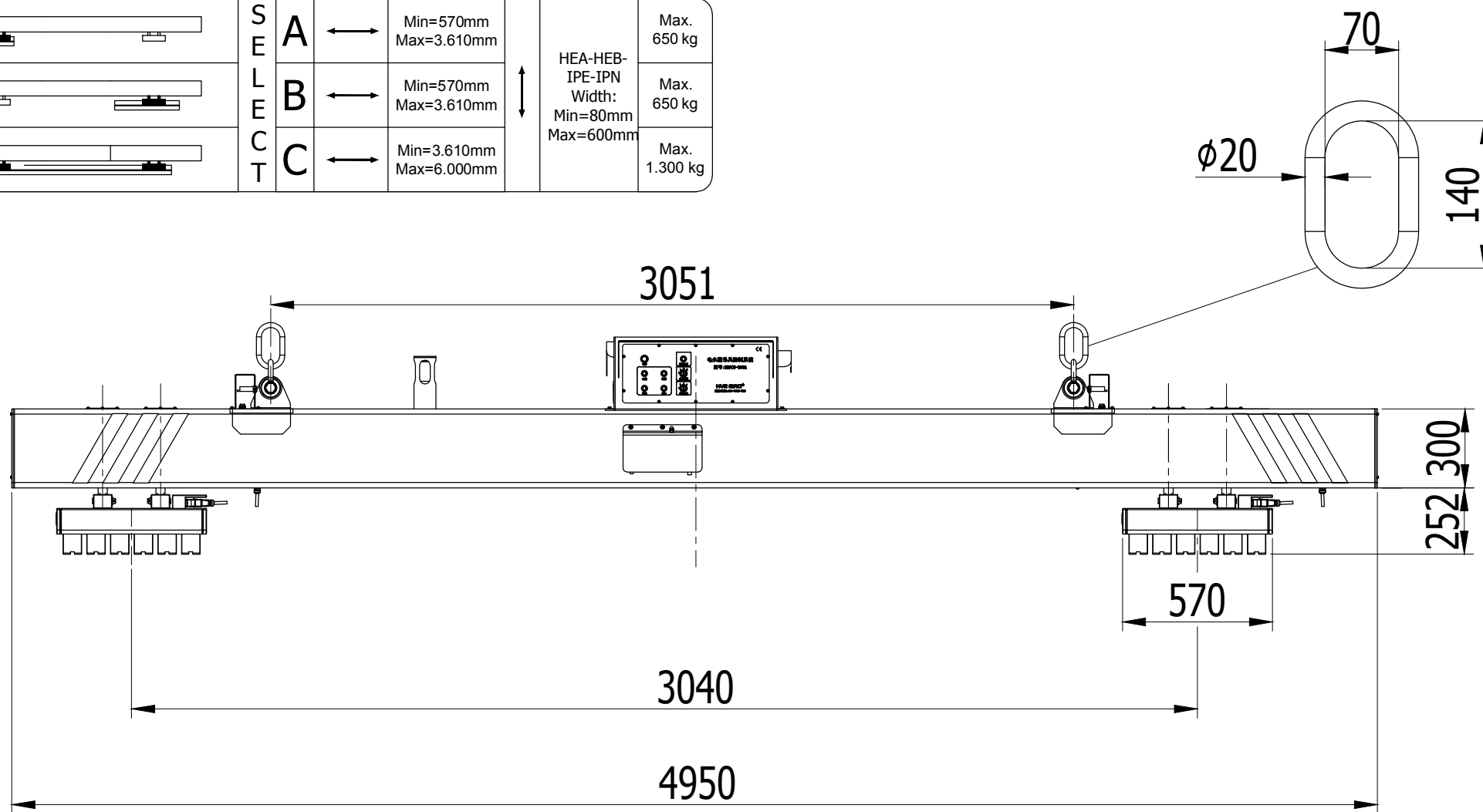
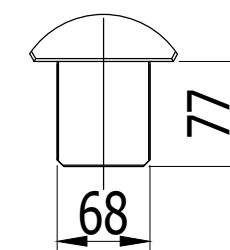


	S E L E C T	A	←→	Min=570mm Max=3.610mm	HEA-HEB- IPE-IPN Width: Min=80mm Max=600mm	Max. 650 kg
		B	←→	Min=570mm Max=3.610mm		Max. 650 kg
		C	←→	Min=3.610mm Max=6.000mm		Max. 1.300 kg

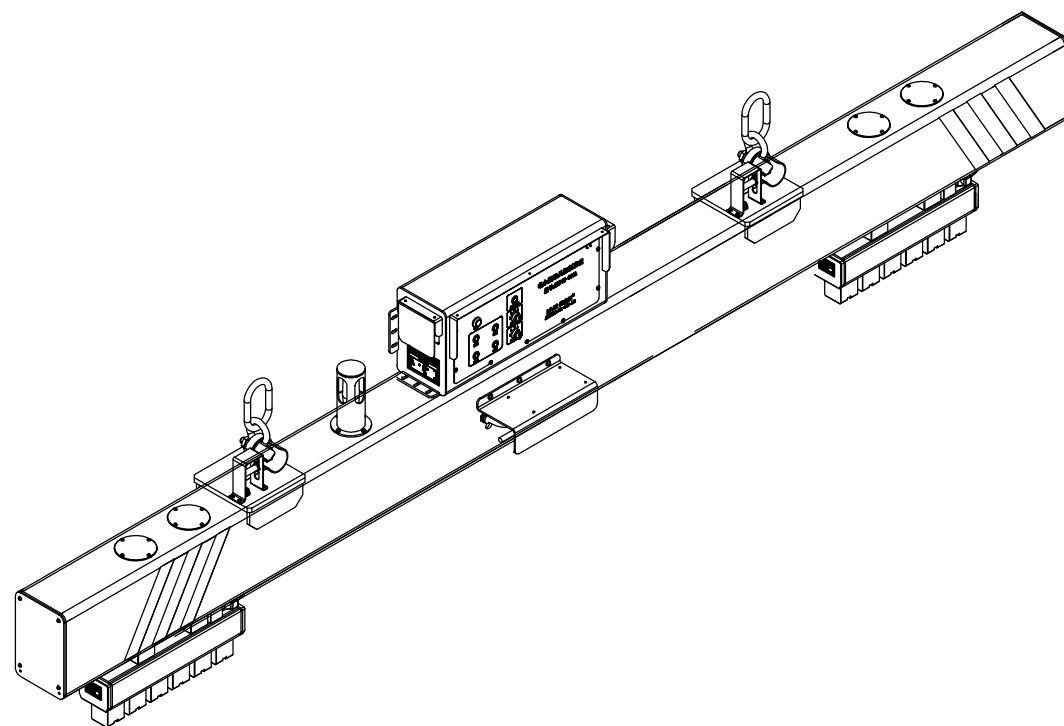


I
1:12.5



Indicative Weight: 500 kg

Indicative drawing. We reserve the right to modify the design at any time



Index	Date	Modification	Name
			HVR MAG®
HS-06-013 EPM beam for lifting of steel plate			Date: 02/07/2020
			Scale: 1:32
HFA20162.00 Indicative drawing			Checked: BIN
			Unit:mm