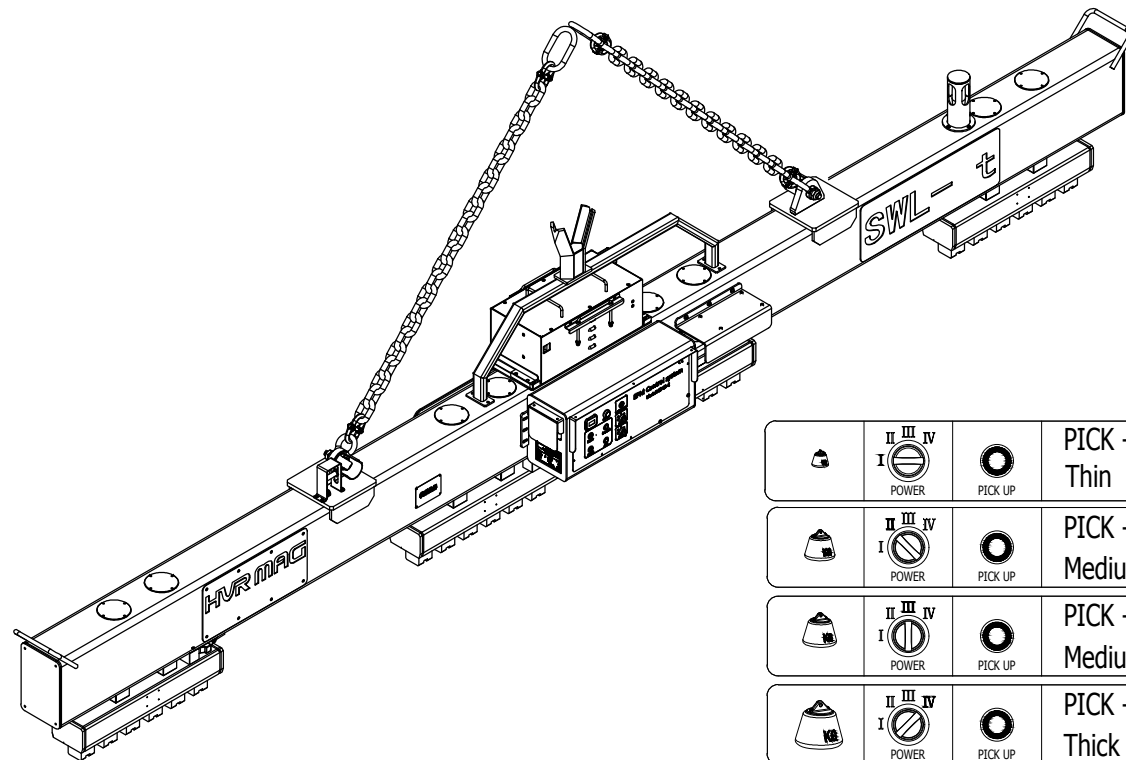
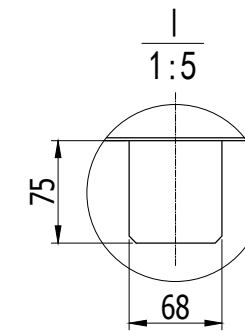
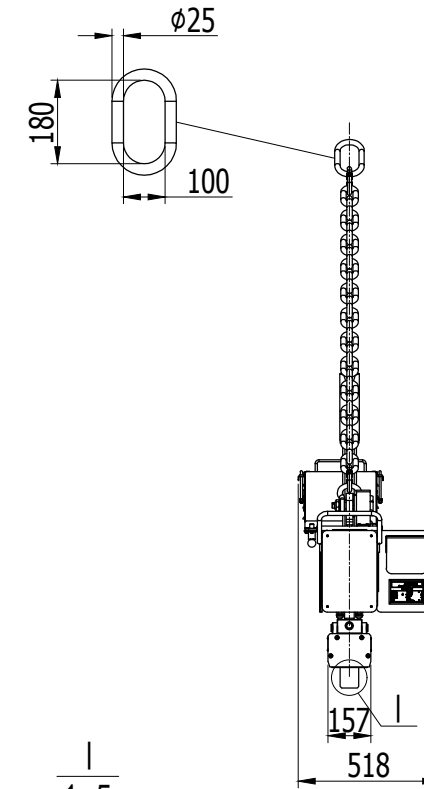
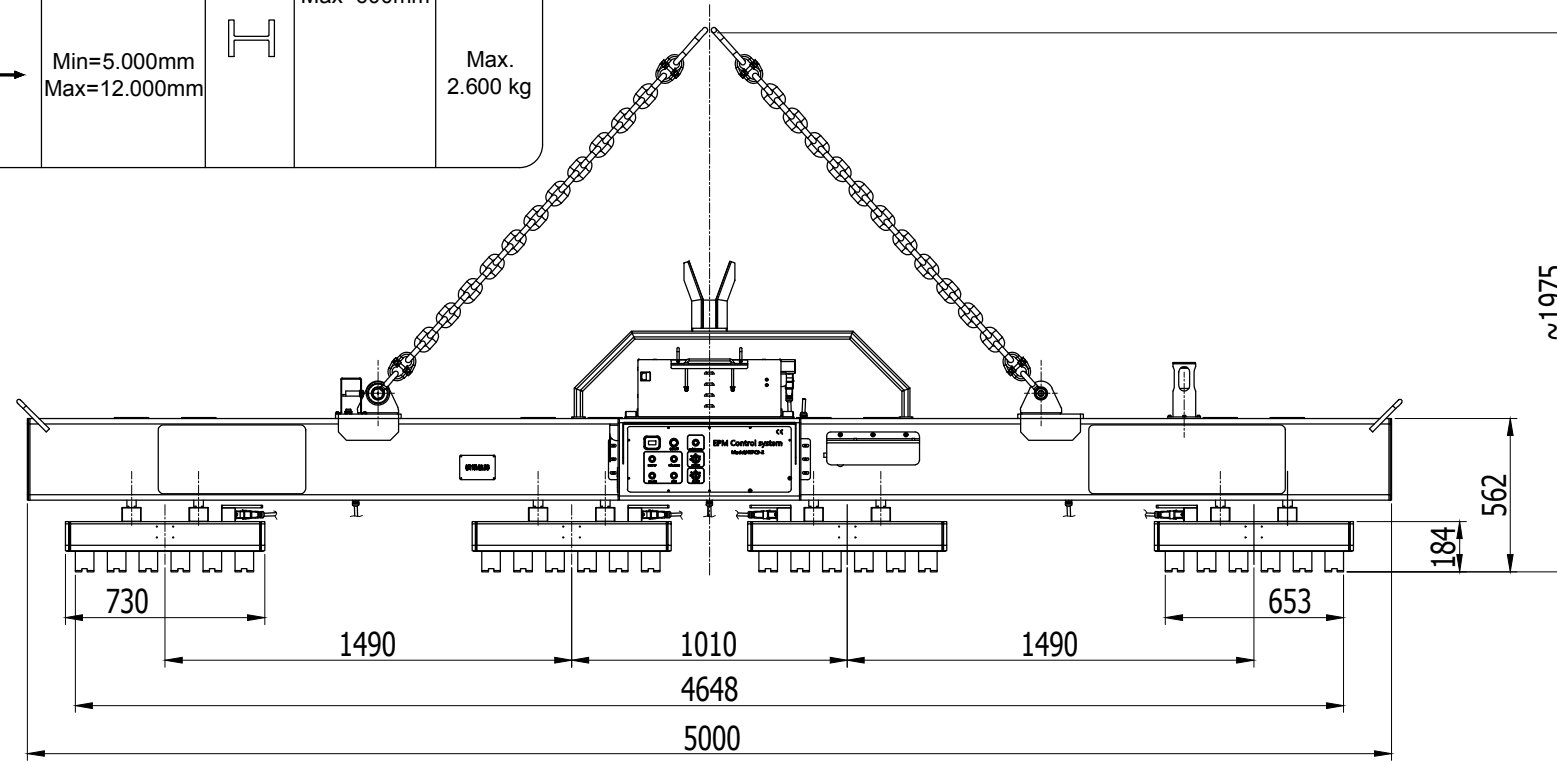


SELECT	A	↔	Min=1.500mm Max=5.000mm	I & II	Min=80mm Max=600mm	Max. 1.300 kg
	B					
	C	↔	Min=5.000mm Max=12.000mm			Max. 2.600 kg
	D					



Indicative Weight: 1220 kg

Indicative drawing. We reserve the right to modify the design at any time

	II III IV I POWER		PICK - UP Thin	Generated force 17%
	II III IV I POWER		PICK - UP Medium/thin	Generated force 25%
	II III IV I POWER		PICK - UP Medium	Generated force 35%
	II III IV I POWER		PICK - UP Thick	Generated force 55%
			FULL - MAG Always	Generated force 100%

Index	Date	Modification	Name

HVR MAG®

MAGBAT
EUROPE

Date: 02/07/2020
Drawing: QI
Checked: BIN
Scale: 1:40
Unit:mm

HBEP5-12-026
EPM beam for lifting of steel plate

HFA20168.00
Indicative drawing