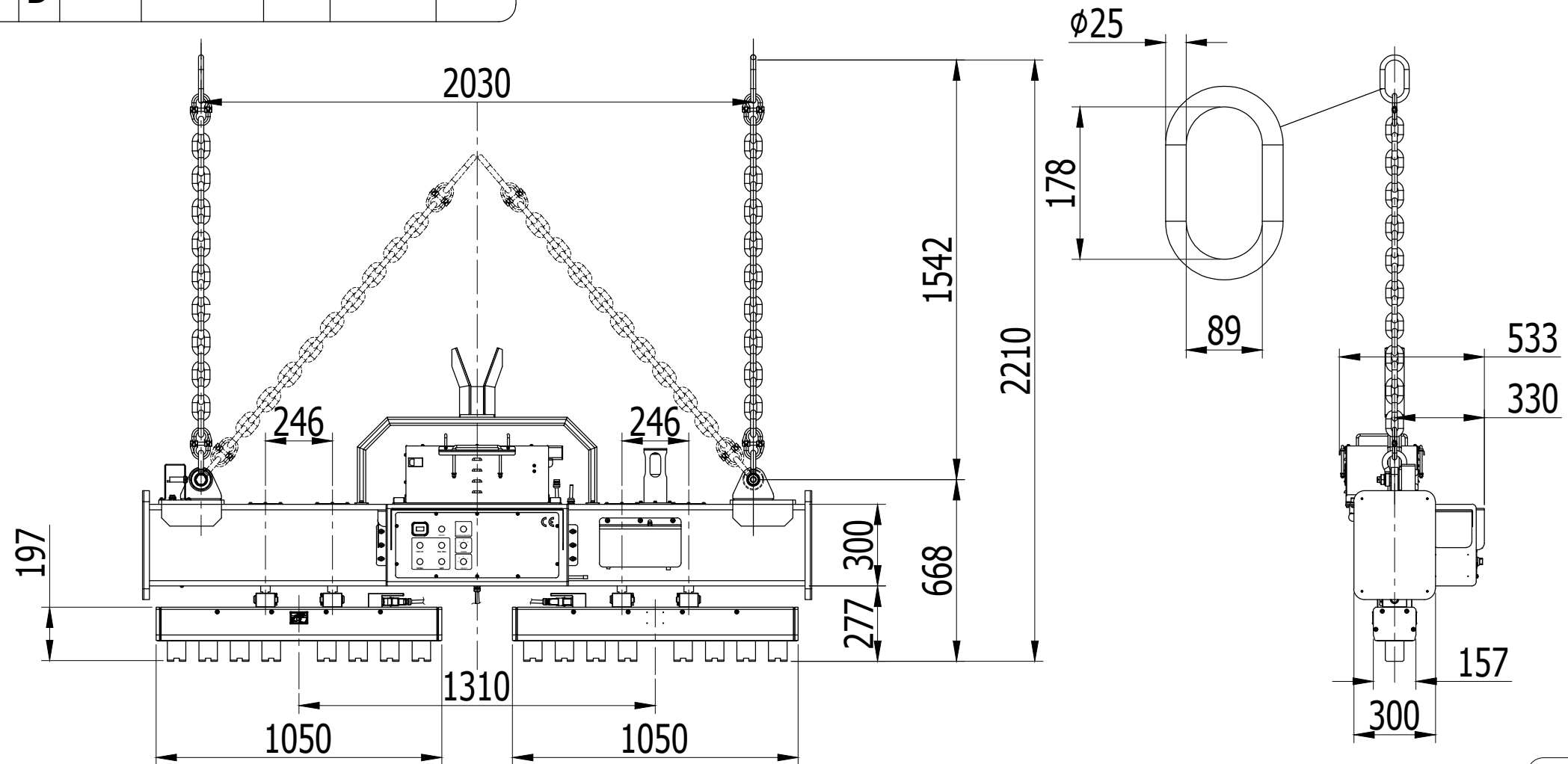


	S E L E C T	A	←→	Min=1.050mm Max=2.360mm	& 	Min=80mm Max=600mm	Max. 850 kg
		B					
	S E L E C T	C	←→	Min=2.360mm Max=10.000mm	& 	Min=80mm Max=600mm	Max. 1.700 kg
		D					



Indicative Weight: 720 kg

Indicative drawing. We reserve the right to modify the design at any time

	II III IV I POWER PICK UP	PICK - UP Thin	Generated force 17%
	II III IV I POWER PICK UP	PICK - UP Medium/thin	Generated force 25%
	II III IV I POWER PICK UP	PICK - UP Medium	Generated force 35%
	II III IV I POWER PICK UP	PICK - UP Thick	Generated force 55%
	FULL MAG	FULL - MAG Always	Generated force 100%

Index	Date	Modification	Name

HVR MAG®

MAGBAT
EUROPE

Date: 02/07/2020
Drawing: QI
Checked: BIN
Scale: 1:30
Unit:mm

HBEP5-10-017/S
EPM beam for lifting of steel plate

HFA20167.00
Indicative drawing