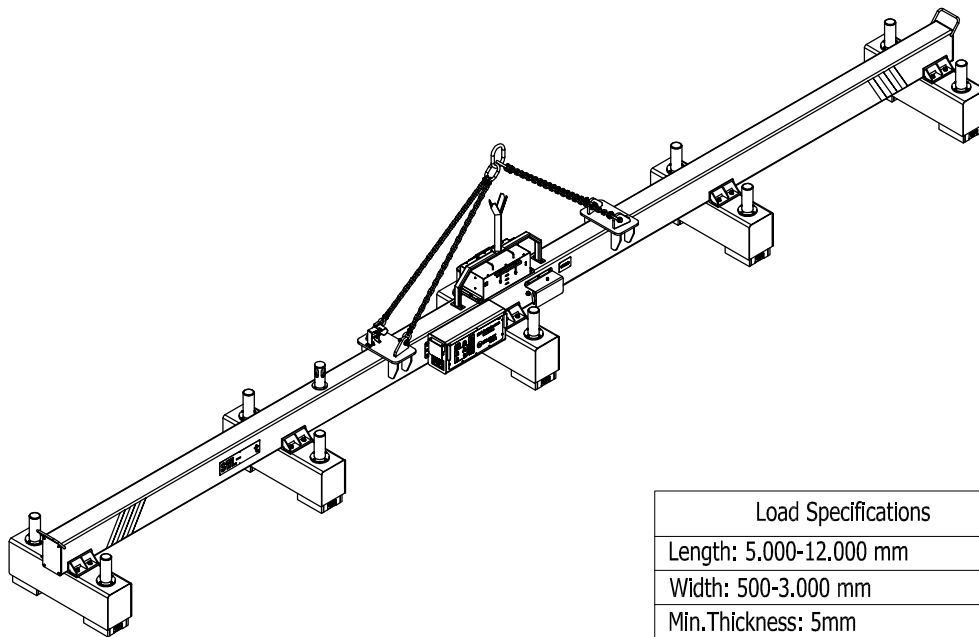
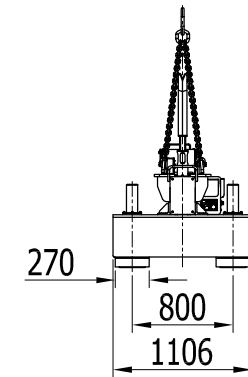
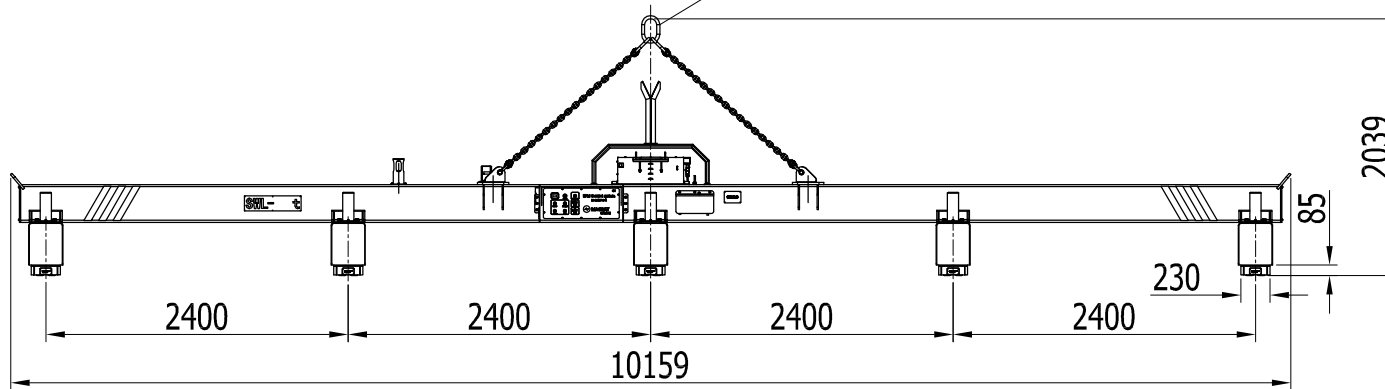
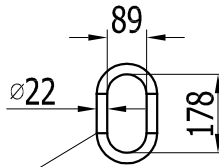


SELECT	A	← Min=5.000mm Max=7.500mm	↕ Min=500mm Max=1.500mm	Min. Thickness: 5mm	Max. 1.500 kg
	B	← Min=7.500mm Max=12.000mm	↕ Min=500mm Max=1.500mm		Max. 2.500 kg
	C	← Min=5.000mm Max=7.500mm	↕ Min=1.500mm Max=3.000mm		Max. 3.000 kg
	D	← Min=7.500mm Max=12.000mm	↕ Min=1.500mm Max=3.000mm		Max. 5.000 kg



Indicative Weight: 1.695 kg

Indicative drawing. We reserve the right to modify the design at any time

Load Specifications	
Length:	5.000-12.000 mm
Width:	500-3.000 mm
Min.Thickness:	5mm
Max. Weight:	5.000 kg

Index	Date	Modification	Name

HVR MAG[®]

MAGBAT
EUROPE

HBEPP-050A0205-2
EPM beam for lifting of steel plate

Date: 16/01/2020	Scale
Drawing: Q1	1:60
Checked: BIN	Unit:mm
HVR19330.00 Indicative drawing	