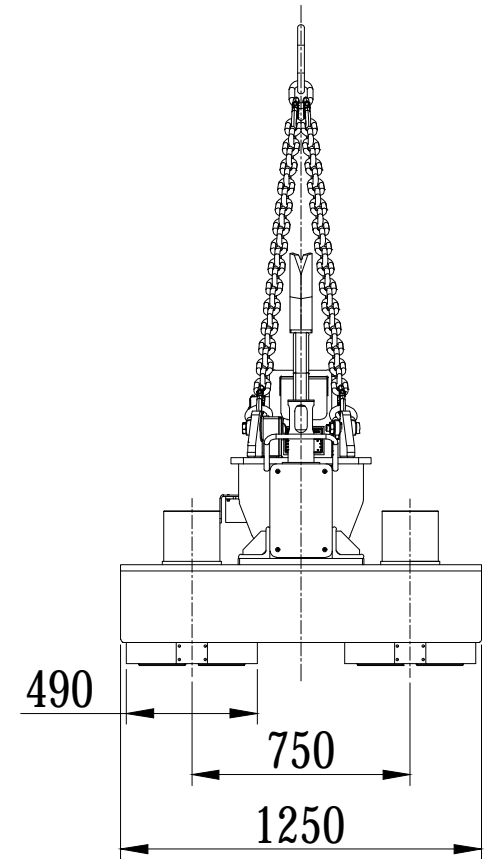
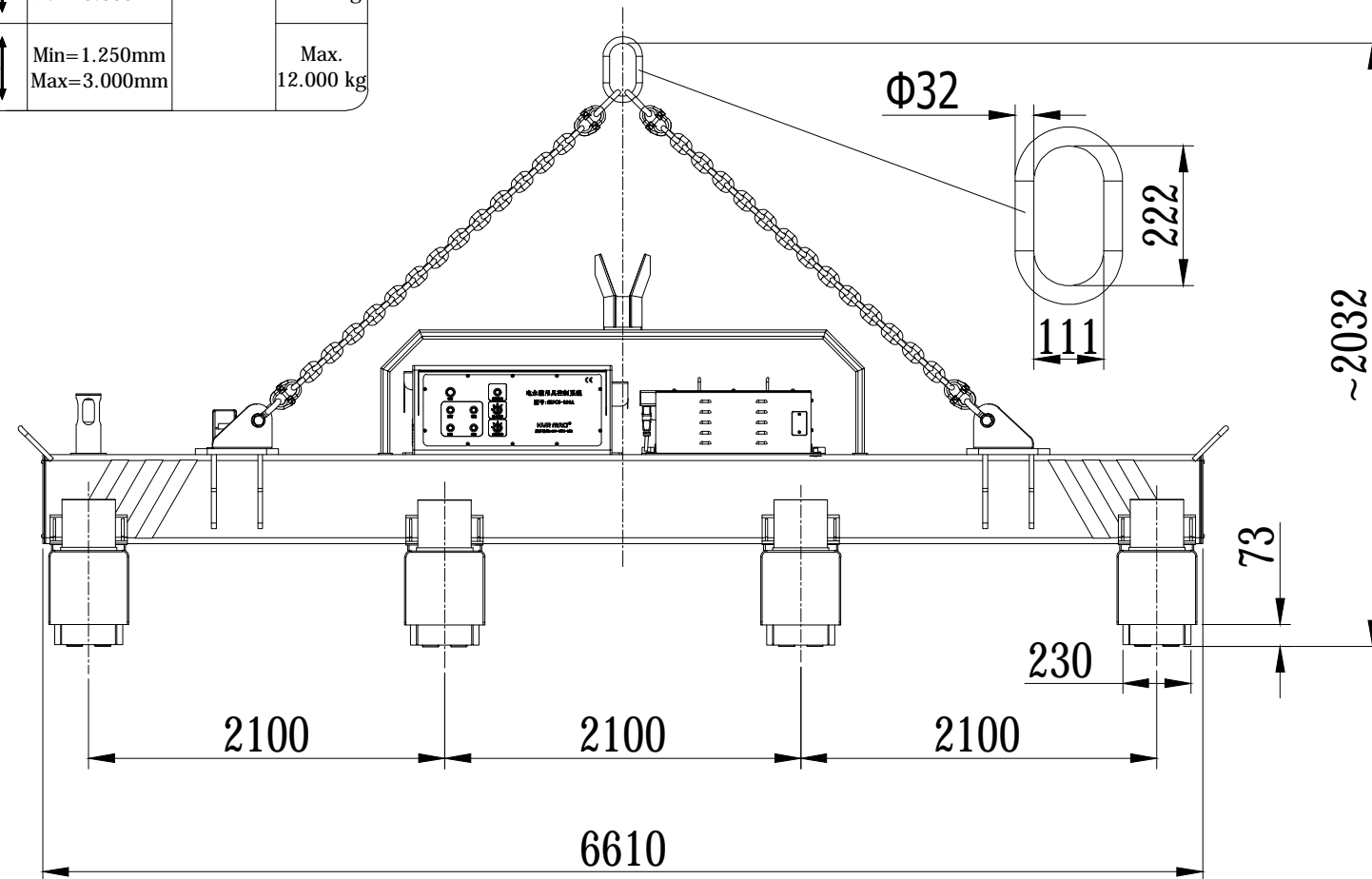
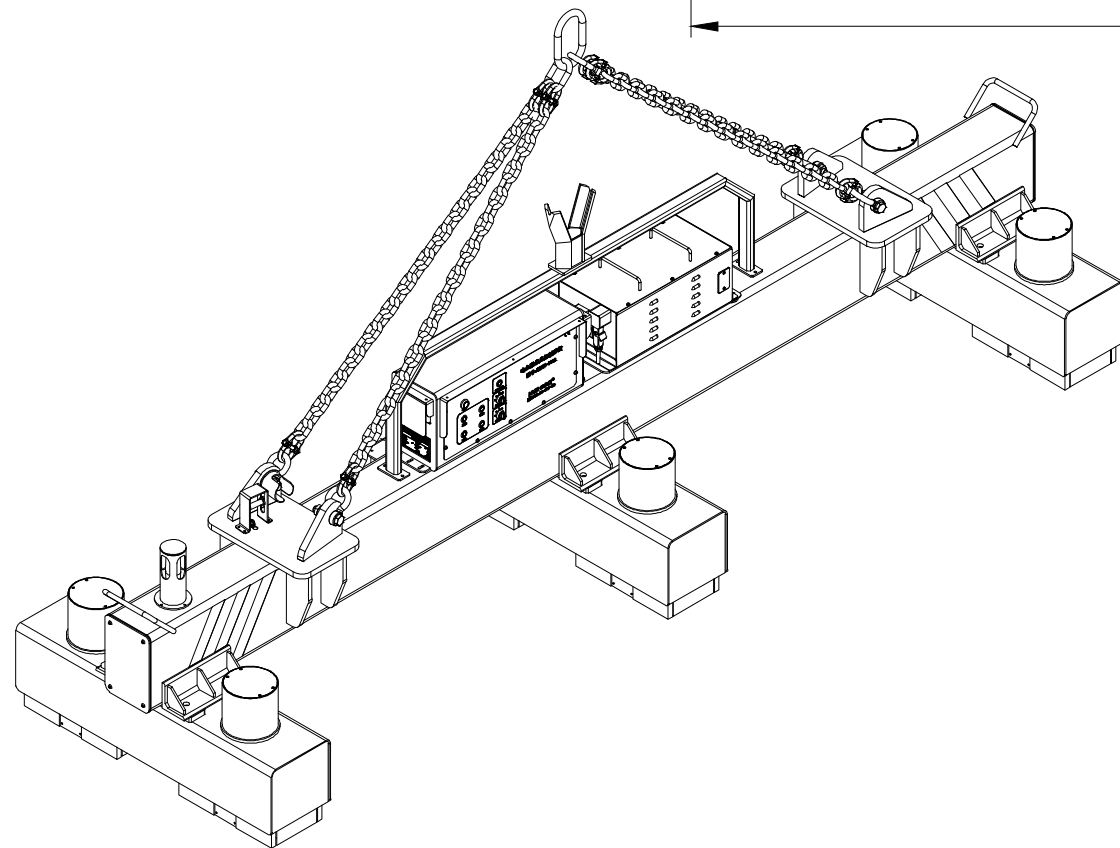


	S E L E C T	A	←→ Min=6.60mm Max=9.000mm	↕ Min=500mm Max=1.250mm	Min. Thickness: 5mm	Max. 3.000 kg
		B	←→ Min=2.400mm Max=4.500mm	↕ Min=1.250mm Max=3.000mm		Max. 6.000 kg
		C	←→ Min=4.500mm Max=6.600mm	↕ Min=1.250mm Max=3.000mm		Max. 6.000 kg
		D	←→ Min=6.600mm Max=9.000mm	↕ Min=1.250mm Max=3.000mm		Max. 12.000 kg



Indicative Weight: 1.750 kg

Indicative drawing. We reserve the right to modify the design at any time



Index	Date	Modification	Name
			HVR MAG®
HBEPP-09-120 EPM beam for lifting of steel plate			Date: 20/08/2020 Scale: 1:35 Drawing: ARNO Checked: BIN Unit: mm
			HFA20157.00 Indicative drawing