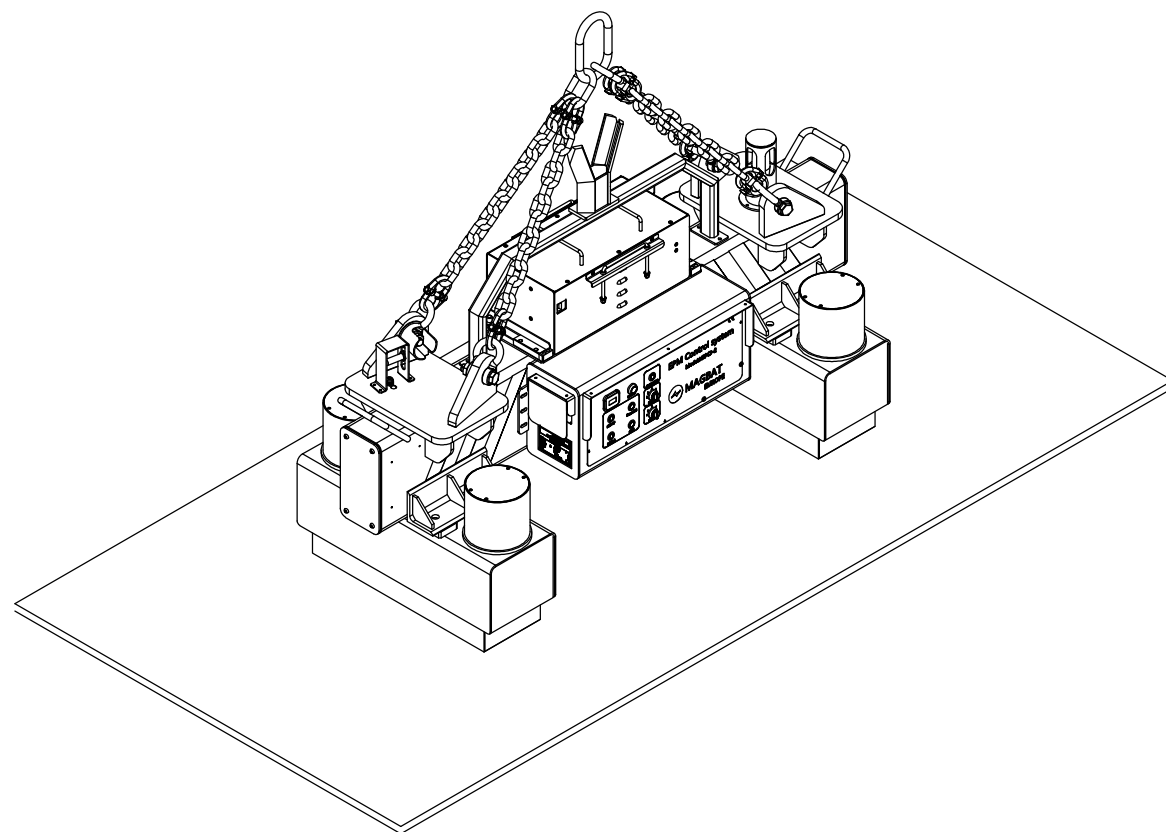
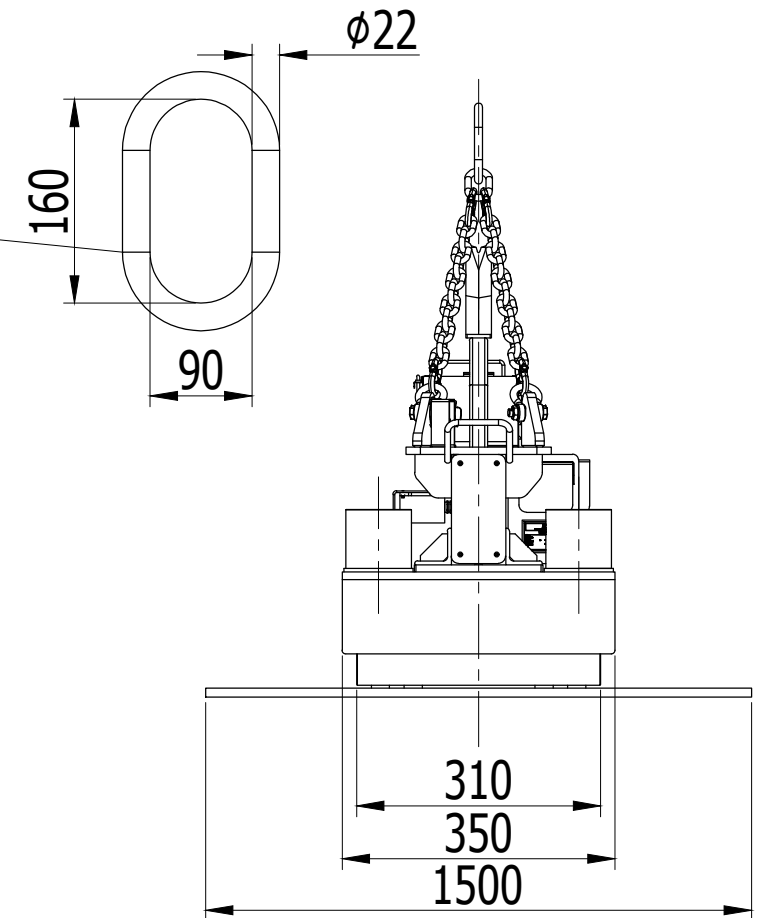
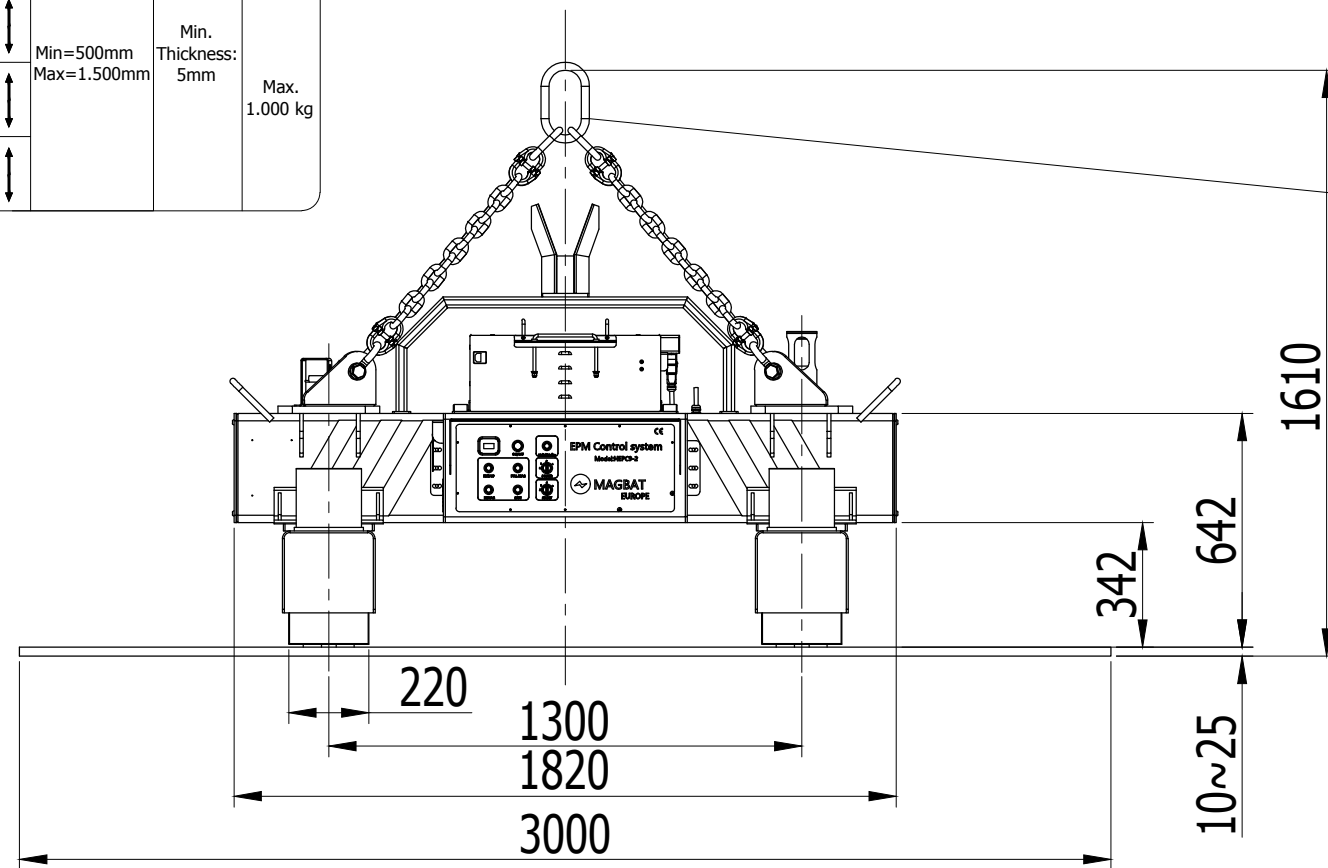


S E L E C T	A	←→	Min=500mm Max=1.100mm	Min=500mm Max=1.500mm	Min. Thickness: 5mm	Max. 500kg
	B	←→				
	C	←→	Min=1.500mm Max=3.000mm	Max. 1.000 kg		
	D	←→				



Indicative Weight: 500 kg

Indicative drawing. We reserve the right to modify the design at any time

Index	Date	Modification	Name
MAGBAT EUROPE			Date: 04/07/2020 Drawing: QI Checked: BIN
HBEPP-03-010 EPM beam for lifting of steel plate			Scale: 1:30 Unit:mm HFA20151.00 Indicative drawing