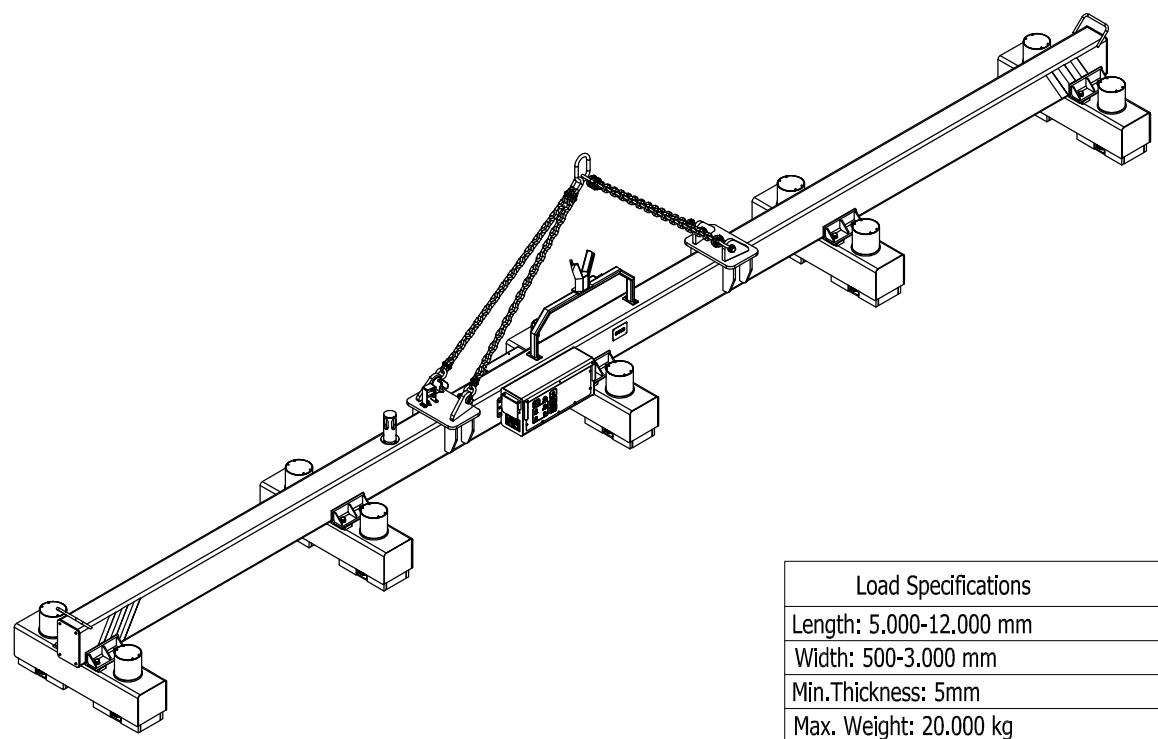
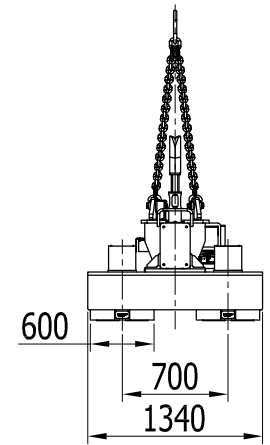
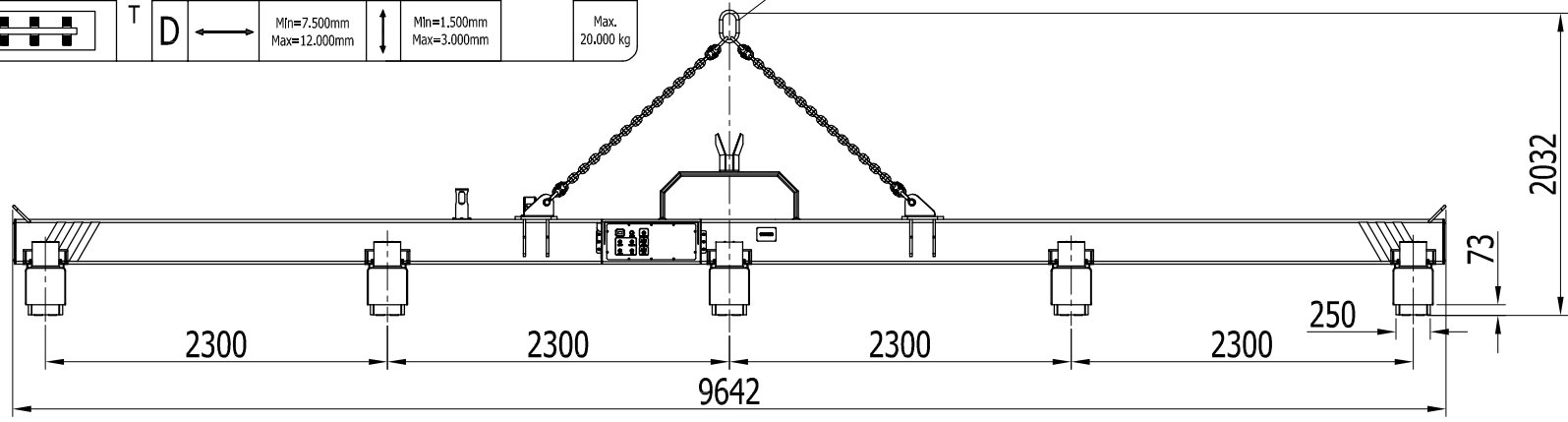
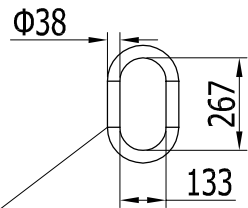


SELECT	A	←→	Min=5.000mm Max=7.500mm	↑↓	Min=500mm Max=1.500mm	Min. Thickness: 5mm	Max. 6.000 kg
	B	←→	Min=7.500mm Max=12.000mm	↑↓	Min=500mm Max=1.500mm		Max. 10.000 kg
	C	←→	Min=5.000mm Max=7.500mm	↑↓	Min=1.500mm Max=3.000mm		Max. 12.000 kg
	D	←→	Min=7.500mm Max=12.000mm	↑↓	Min=1.500mm Max=3.000mm		Max. 20.000 kg



Indicative Weight: 2.400 kg

Indicative drawing. We reserve the right to modify the design at any time

Index	Date	Modification	Name

MAGBAT
EUROPE

HM1-12-200
EPM beam for lifting of steel plate

Date: 16/01/2020
Drawing: QI
Checked: BIN

Scale
1:50
Unit:mm

HFA20019.00
Indicative drawing

Load Specifications
Length: 5.000-12.000 mm
Width: 500-3.000 mm
Min.Thickness: 5mm
Max. Weight: 20.000 kg